



BRAUN INTERNATIONAL
WORLD-WIDE DISTRIBUTORS
Since 1888

CAUTION

UNIT SAFETY SYSTEM OPERATES ON 115 VOLT ONLY !!

THE SAFETY SYSTEM IS INSTALLED FOR THE OPERATORS PROTECTION. ANY ATTEMPT TO CIRCUMVENT THE SYSTEM MY RESULT IN SERIOUS INJURY.

DO NOT ATTEMPT TO OPEN LID UNTIL THE CENTRIFUGE HAS COME TO A COMPLETE STOP. ANY ATTEMPT TO DO SO WILL RESULT IN DAMAGE TO THE UNIT. ALL WARRANTIES WILL BE VOID.

ANY QUESTIONS CALL ED SIMMONS 1-800-884-BICO



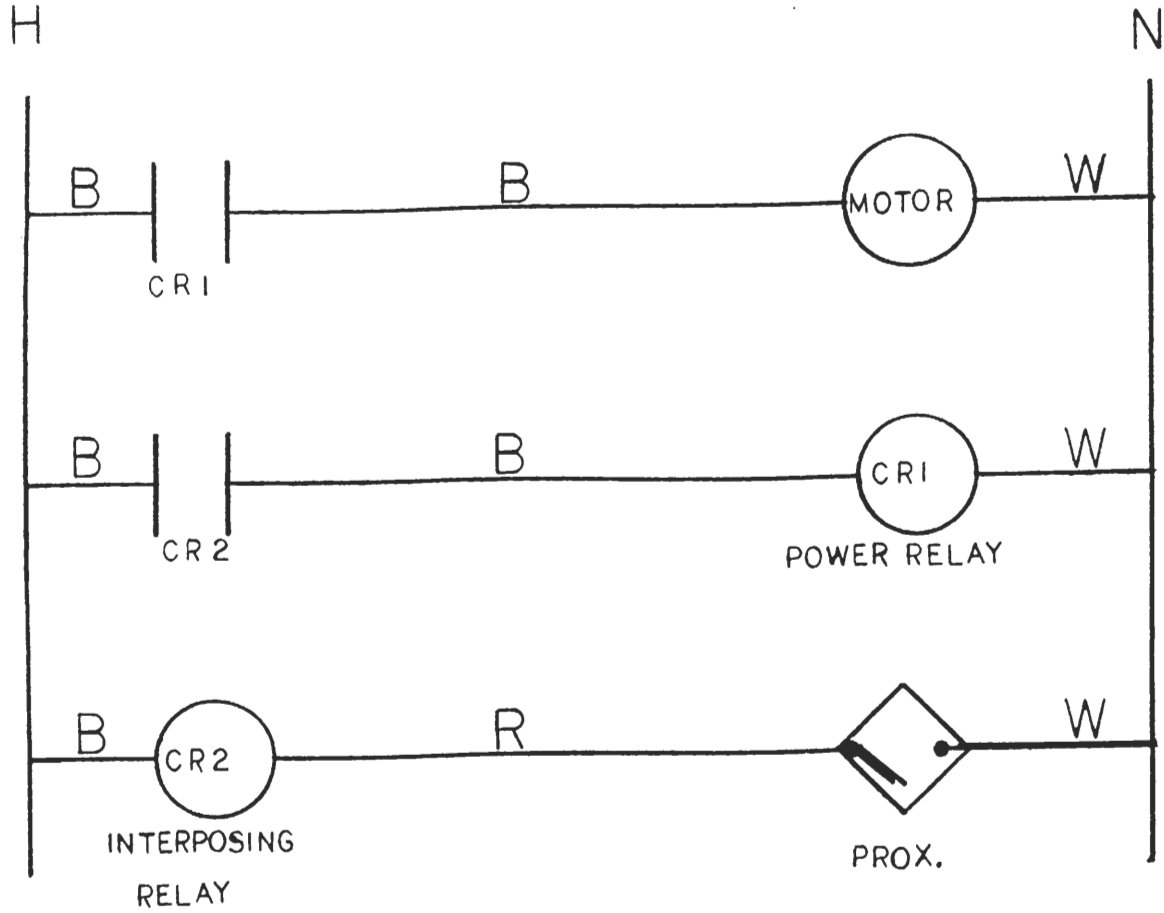
3116 Valhalla Drive • Burbank, California 91505 • U.S.A.
Phone (818) 842-7179 • Fax (818) 842-7976 • Telex 194561 LSA-BICO

MANUFACTURERS OF PETROLEUM & MINING LABORATORY TEST EQUIPMENT



BRAUN INTERNATIONAL
WORLD-WIDE DISTRIBUTORS
Since 1888

WIRING DIAGRAM FOR THE BICO OIL CENTRIFUGE - SAFETY SWITCH
115 VOLT MODEL 513-40



REV. 1993



3116 Valhalla Drive - Burbank, California 91505 - U.S.A.
Phone (818) 842-7179 - Fax (818) 842-7976 - Telex 194561 LSA-BICO

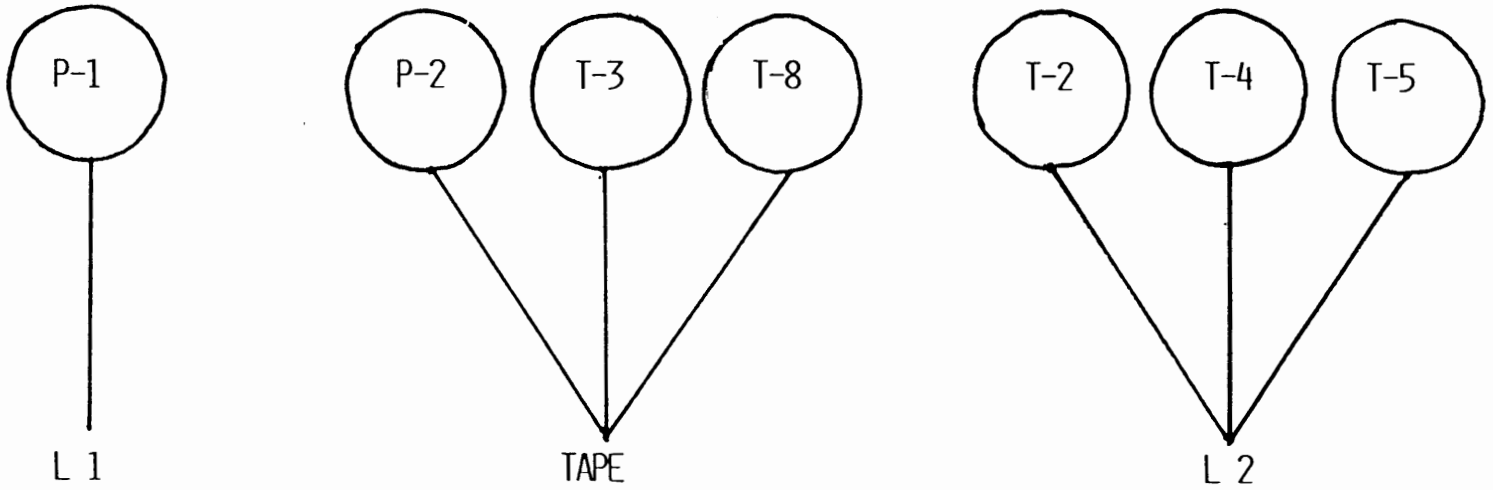
MANUFACTURERS OF PETROLEUM & MINING LABORATORY TEST EQUIPMENT

OIL CENTRIFUGE MODELS 513-39 & 513-40

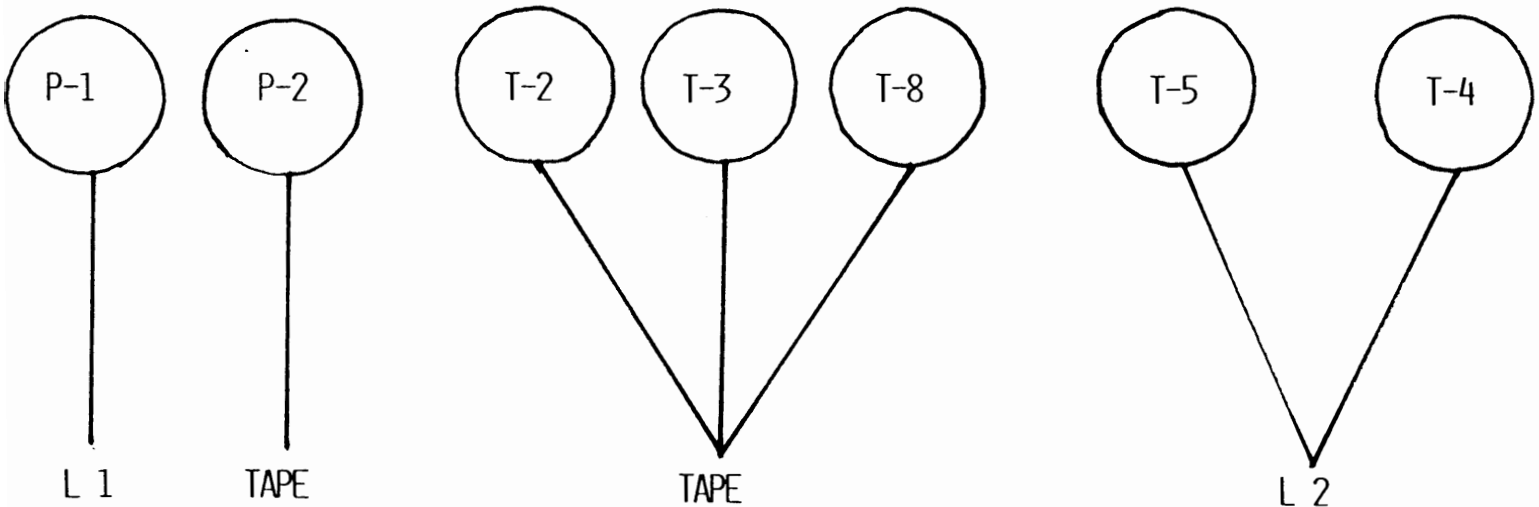
WIRING DIAGRAM FOR LEESON AND DAYTON MOTORS

MOTOR AND HEAD SHOULD RUN COUNTER CLOCKWISE AS INDICATED BY ARROW ON CASTING

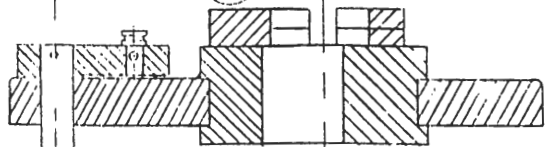
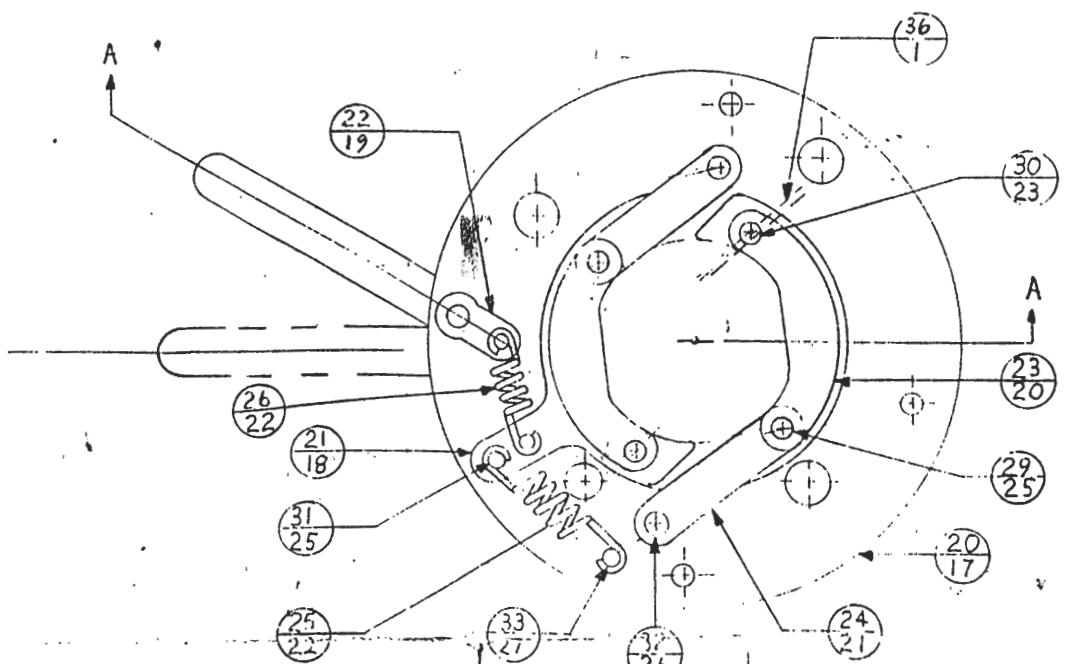
**** LOW VOLTAGE ****



**** HIGH VOLTAGE ****



COUNTER CLOCKWISE ROTATION FACING LEAD AS SHOWN.
INTERCHANGE LEADS T-5 & T-8 FOR CLOCKWISE ROTATION.



SECTION AA



TAPER PIN #0 x 1 1/2"



STD. GROOVE PIN 3/32 x 1"		
23-	36	2 STD. GROOVE PIN
23-	34	8 STD. GROOVE PIN
23-	33	1 PLATE SPRING PIN
23-	32	1 PLATE PIN
23-	31	3 SPRING PIN
23-	30	2 COLLAR PIN
23-	29	2 LINK PIN
23-	28	1 BRAKE HANDLE
23-	27	1 BRAKE LEVER SHAFT
23-	26	1 HANDLE BRAKE SPRING
23-	25	1 PLATE BRAK SPRING
23-	24	2 BRAKE LINK
23-	23	2 BRAKE SHOE
23-	22	1 BRAKE LEVER
23-	21	1 BRAKE COLLAR
23-	20	1 MOUNTING PLATE
ITEM	REQ	DISCRPTION

BRAKE ASSEMBLY FOR 51339 OIL CENTRIFUGE

7/5/13

BICO, INC.

3116 VALHALLA DRIVE
 P. O. BOX 6339
 BURBANK, CA 91510